

# NYLON BRUSH SEALS

## Description

Aluminium extrusion with a nylon brush seal. The nylon brush seal is rated as UL94-V2 and is suitable for use as ember protection and sealing garage doors as per AS3959.

## Key Benefits

Easy to install onto new or existing doors.

## Lengths

Comes in lengths of 2.5 m but can be cut and joined to suit any sized door.

## Fixing Method

Self-drilling screws

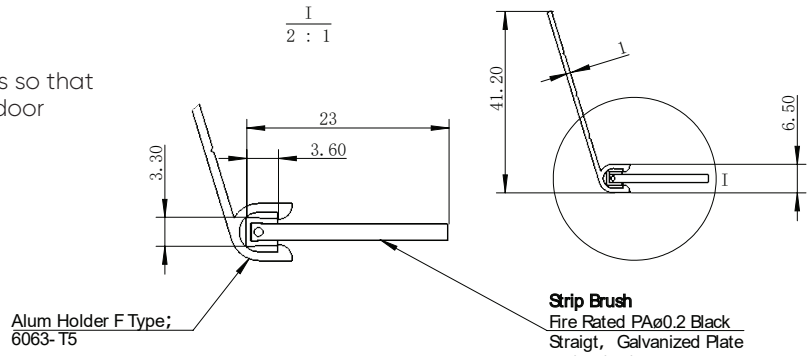
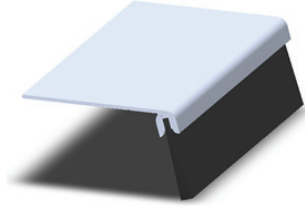
## Finishes

Anodised aluminium with black brush filaments.



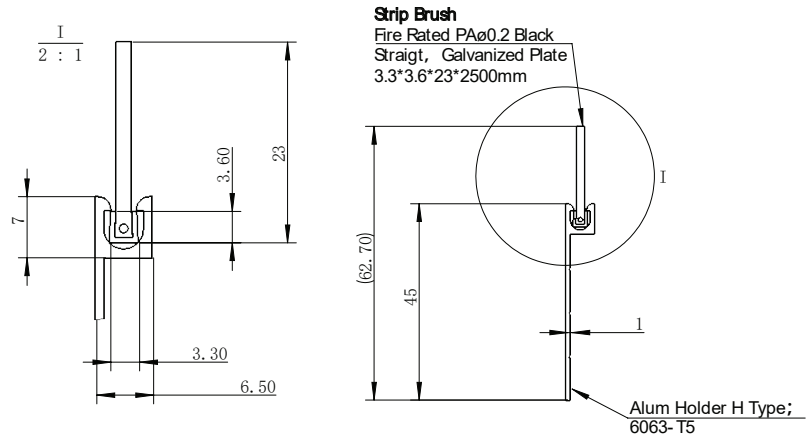
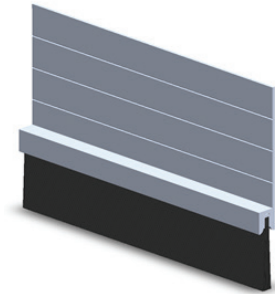
## 10-450-5010

- 18mm Brush
- F Type Aluminium Extrusion
- Attach to jamb and head of sectional doors so that the brush is in contact with the side of the door



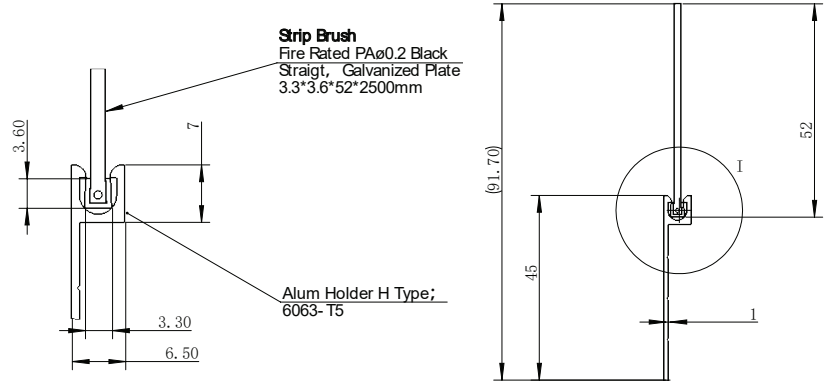
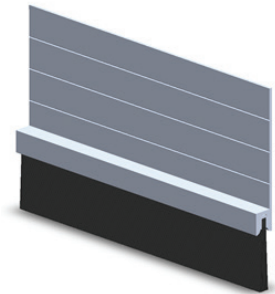
## 10-450-5012

- 18mm Brush
- H Type Aluminium Extrusion
- Attach to head of sectional doors



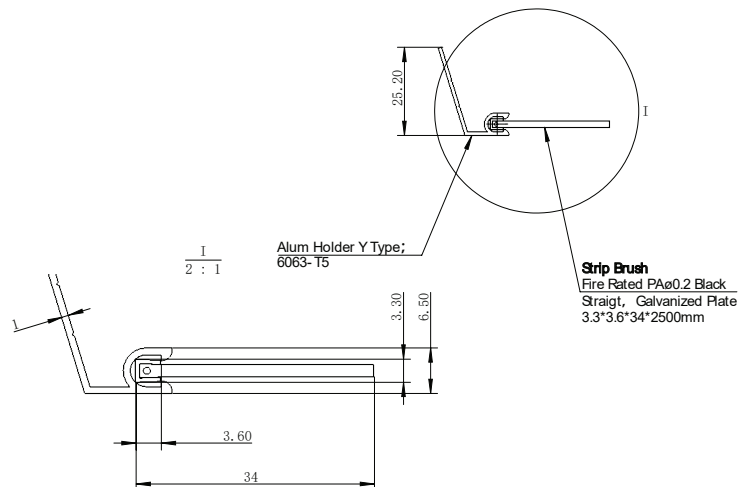
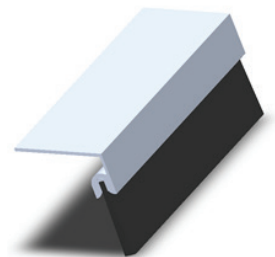
## 20-450-5015

- 46.5mm Brush
- H Type Aluminium Extrusion
- Attach to head of opening for roller doors



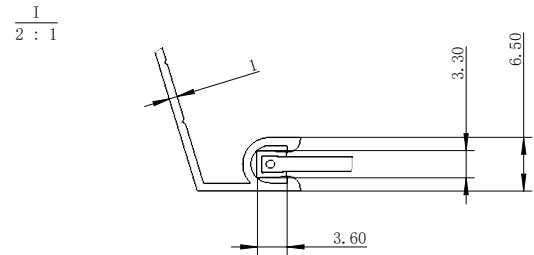
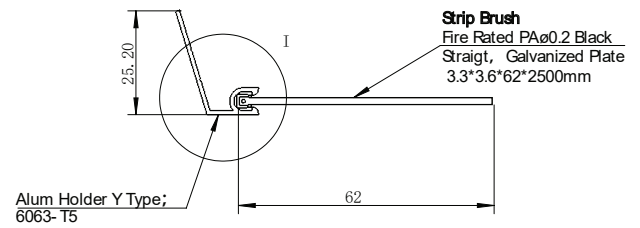
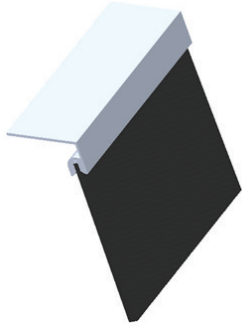
## 20-450-5010

- 30mm Brush
- Y Type Aluminium Extrusion
- Attach to Jamb of opening for roller doors



## 20-450-5020

- 60mm Brush
- Y Type Aluminium Extrusion
- Attach to head of opening for roller doors



## 20-450-5016

- 46mm Brush
- F Type Aluminium Extrusion
- Attach to jamb and head of roller doors so that the brush is in contact with the side of the door

